

As building projects increase in height, and construction techniques become more complex, the need for efficient material logistics is increasingly important. LoadSwift provides proven materials handling capability in a unique, easy to use and cost effective way



Up to 80 % improvement in throughput and 50 % reduction in cost

Benefits to the Contractor

- ✓ Use with tower cranes to free up this scarce resource to create the building structure and meet stage payment deadlines
- ✓ Requires no tower crane time after initial install which takes under an hour- fully relocates its own platforms!
- ✓ Reduces costs by allowing building load out during normal working hours substantially reducing overtime payments
- ✓ Improves logistics with no on site storage required
- ✓ Has inherent safety protection in a simple to use package
- ✓ Helps meet environmental targets - producing 16% of the carbon load of a tower crane

Benefits to Subcontractors

- ✓ Is completely independent of tower crane time – manage your own logistics and meet your deadlines without penalty
- ✓ Move your materials quickly and easily to where they are required – working loads up to 6050 lbs means one step loading of blockwork and drywall
- ✓ Single handling of loads reducing cost, time and damage
- ✓ Training of your team in 45 minutes



Proven Capability

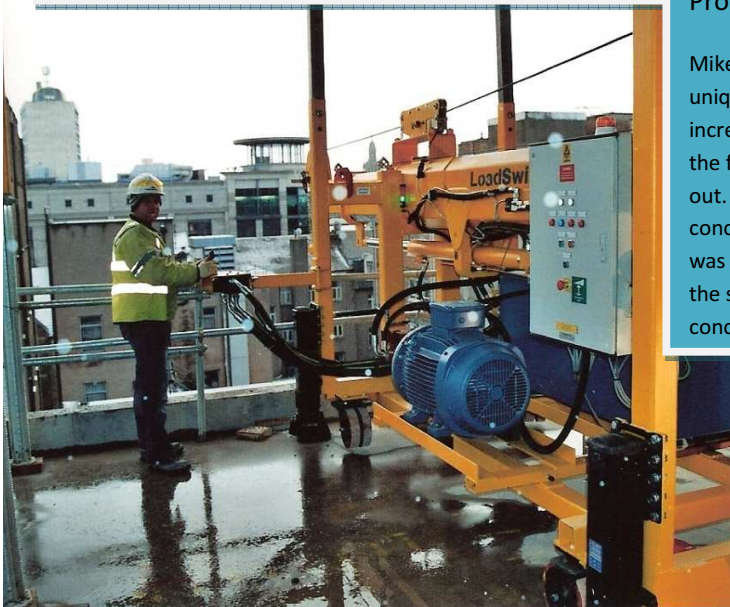
Mike King, project manager for VINCI said: "The LoadSwift system is unique and efficient. The project demanded that we achieve an incredibly tight concrete programme and at the same time pre-load the floors with material for the building envelope and the internal fit out. We would have had to sacrifice considerable hook time from the concrete programme if it were not for the LoadSwift system which was able to function independently to load out the building. Without the system we could have potentially lost 2 to 4 weeks on the concrete programme alone."

Specifications

WLL 6050 lbs
Speeds up to 98' / min

Up to 393' lift
Pick up 19'8" from building

Options :- Steelwork for complex installations, dedicated pod loader, roof mounting cradle, high capacity winch lift system to give 10,000 lbs at 12' from building



See www.loadswiftinternational.com , call us on 1-777-269-3027 or email us on info@loadswiftinternational.com for a personalized quotation

LoadSwift



Platform Specifications

SWL 5500 lbs UDL
 Weight 5720 lbs
 External Width 9'6"
 Max load size 7'6" x 13'1"
 Floor to deck height 5.5"



Robust multi-roller "next generation" system for ease of movement and high reliability



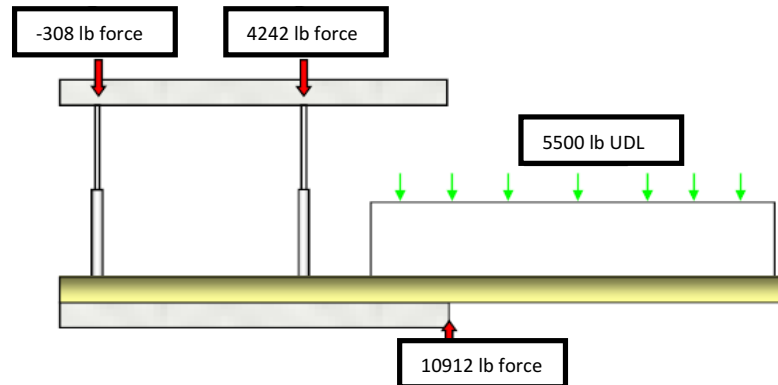
"Easy lift ramp system"



Smooth non slip floor for easy load movement especially pods

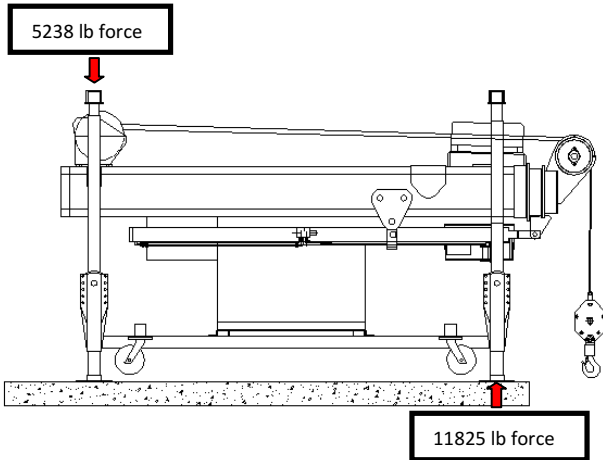


Damping system reduces shock



Hoist Specifications

At 393' and 19'8" reach WLL is 6050 lbs
 98'/min at full load
 6'7" wide x 13'1" long x 7'10" high
 393' lift capacity
 Weight 8360 lbs
 3 Phase +N+E 415V 50/60Hz 80 A Red Spot Fuses
 Power connection female red face mount 125A



"Easy Roll" castors for precise relocation



Self jacking system

Simple proportional controls



Programmable WLL



Notes

Reactions are per beam / foot - worst case for loading of hoist on platform, and hoist at max WLL and max extension
 Varying stiffness at the support points may alter the reactions
 Reactions include self weight but no additional dynamic loads
 Reactions can be reduced by additional propping / Kentedge and floor / roof mount system
Please check with LoadSwift International for any other loading conditions